

EZA1280 eZ.HD Series

1080p Dual Power FHD IP66 IR Bullet Camera

User's Manual



Copyright © EverFocus Electronics Corp.

Release Date: May, 2020

All the images including product pictures or screen shots in this document are for example only. The images may vary depending on the product and software version. Information contained in this document is subject to change without notice.

EverFocus Taiwan:

2F., No.12, Ln. 270, Sec. 3, Beishen Rd., Shenkeng Dist., New Taipei City 222, Taiwan
TEL: +886 2 2662 2338 FAX: +886 2 2662 3632 www.everfocus.com.tw

1. Introduction

Equipped with a 1080p Sony STARVIS CMOS sensor, the EZA1280 deliver 1080p full HD image quality. The model provides 2.8-12mm lens with ICR. Featured with Digital Wide Dynamic Range (D-WDR), the camera can provide clear images even under backlight circumstances where intensity of illumination can vary excessively. The EZA1280 supports dual power (12VDC / 24VAC) and supports both NTSC and PAL scanning systems.

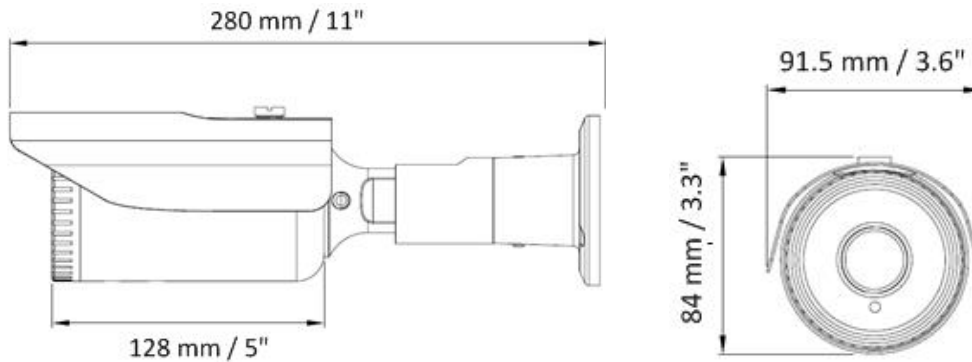
1.1 Packing List

- Camera x 1
- Mounting Sticker x 1
- L-Type Wrench x 1
- Screw & Screw Anchor x 3
- User Manual x 1

1.2 Features

- 1080p Sony STARVIS CMOS sensor, delivering amazing high sensitivity
- Varifocal 2.8-12mm with ICR to capture the desired field of view
- Extended IR range of up to 40m / 131ft. with 4 LEDs (depends on scene IR reflectivity)
- D-WDR to improve the visibility under high contrast scene
- 3-Axis rotation design allows wall or ceiling mounting
- IP66-rated with metal housing
- Supports dual power (12VDC / 24VAC)
- Supports UTC function: Control camera OSD settings directly from DVR end

1.3 Dimensions



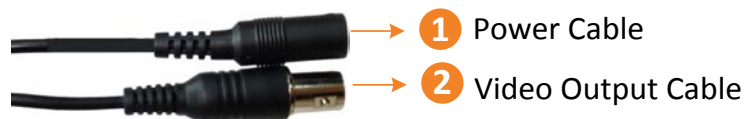
1.4 Optional Accessory

BA-E320



Color: White
 Size: $\Phi 138 \times 54(H)$ mm / 5.43"x2.16"
 Weight: 700g / 1.87lb
 Material: Metal

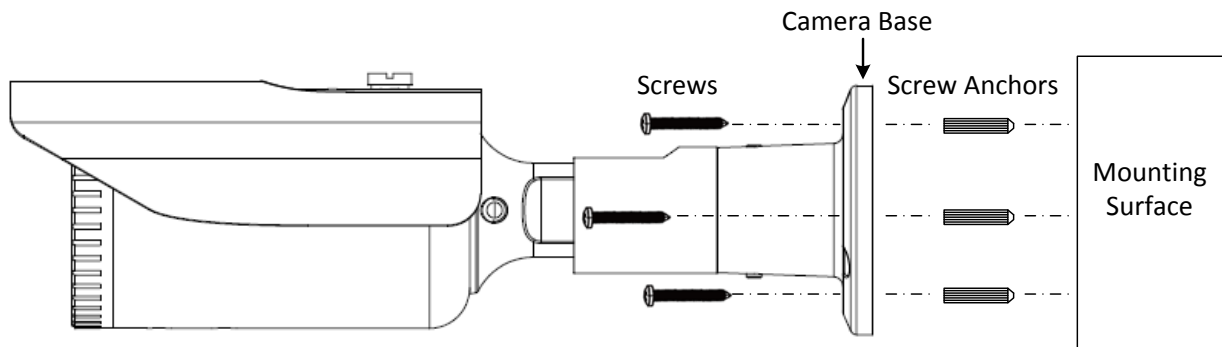
1.5 Cable Description



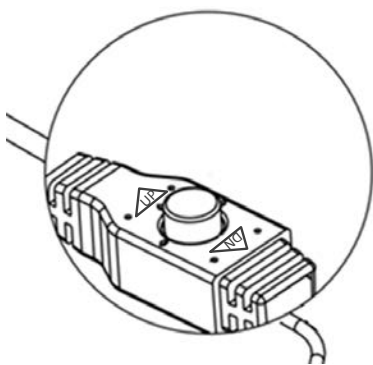
No.	Name	Descriptions
1	Power Cable	Connects to a 12VDC / 24VAC power source.
2	Video Output	1080p output, using a 75 Ohm BNC-type coaxial cable.

2. Installation

1. Stick the supplied **Mounting Sticker** to the surface to mark the 3 screw positions. Drill 3 holes on the surface and insert the supplied 3 **Screw Anchors** into the screw holes. If you want to run the cable through the surface, drill a hole within the 3 screw area.
2. To mount the camera to the surface, screw the **Camera Base** to the surface using the supplied 3 **Screws**.



3. Connect the **Power Cable** to a 12VDC / 24VAC power source. Connect the **Video Output Cable** to a monitor or DVR.
4. You can use the **Joystick** on the cable to configure camera OSD settings or switch to different video formats. Remove the Protection Cap from the Joystick before using it.



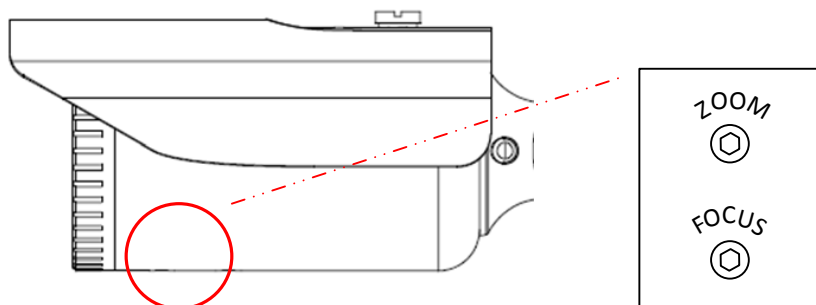
Switching Video Format:

- Push the joystick up for 5 sec. to switch to AHD.
- Push the joystick right for 5 sec. to switch to TVI.
- Push the joystick down for 5 sec. to switch to CVI.
- Push the joystick left for 5 sec. to switch to CVBS.

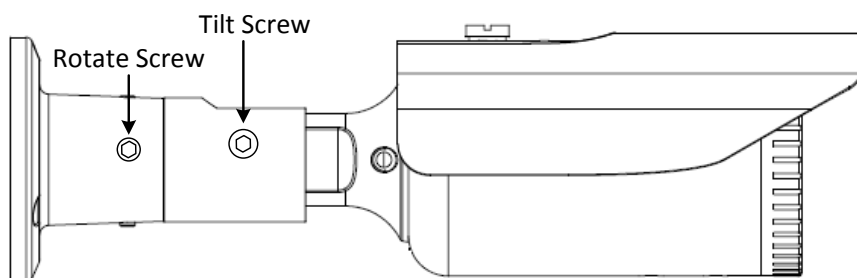
Configuring OSD Settings:

- Push the Joystick up / down to select among menu items.
- Push the Joystick left / right to adjust the level of the selected item.
- Press the Joystick to enter the submenu or exit the OSD Setup Menu.

- For the first time installation, check whether the camera is properly focused. If not, you can manually adjust camera Zoom or Focus using the supplied **L-Type Wrench**. On the bottom of the camera, find the **Zoom** and **Focus** nuts. Using the supplied **L-Type Wrench** to adjust camera Zoom or Focus.



- You can optionally adjust camera angles. To do so, loosen the **Tilt Screw** or **Rotate Screw** on the bracket using the supplied **L-Type Wrench** to adjust camera angles. After adjusting camera angles, tightly screw back the Tilt/Rotate screws.



3. Configuration in the OSD Menu

You can configure camera settings in the OSD menu from DVR end.

No	Main	Sub Menu	Sub Menu / Function	
1	Iris	ELC		
		Off		
2	Focus Adj.	On	Focus Area	Wide / Narrow / Middle
			DISP Tone	0-2
			DISP H_POS	0-60
			DISP V_POS	0-34
			DISP H_Size	0-60
			DISP V_Size	0-34
3	Exposure	Brightness	0-20	

		Shutter	Auto	Normal / Deblur		
			Manual	Speed	1/30, 1/60, 1/120, 1/240, 1/480, 1/1000, 1/2000, 1/4000, 1/8000, 1/15000, 1/30000	
			Flicker			
		Sens-Up	Off, x2, x4, x8, x16, x32			
		AGC	0-10			
4	Backlight	Off				
		HLC	Mode	Night Only / All Day		
			Level	0-20		
			Color	BLK / CUSTOMIZE / WHT / YEL / CYN / GRN / MAG / RED / BLU		
		BLC	H-POS	0-20		
			V-POS	0-20		
			H-Size	0-20		
			V-Size	0-20		
		WDR	Mode	Normal		
				ROI	Window Zone	0-3
					Window Use	On / Off
					H-POS	0-1920
V-POS	0-1080					
H-Size	0-1920					
V-Size	0-1080					
Weight	Middle / High / Low					
5	Day&Night	Auto	Mode	Auto	IR LED	On / Off
					Anti-Sat.	0-20
					LED Power	Dimming
					AGC Thres	0-20
					AGC Margin	0-20
					Delay	Middle / High / Low
				Color	White LED	On / Off
					Anti-Sat.	0-20
					LED Power	Dimming
					AGC Thres	0-20
					AGC Margin	0-20
				Delay	Middle / High / Low	
				B&W	IR LED	On / Off
					Anti-Sat.	0-20
					LED Power	Dimming
					AGC Thres	0-20
					AGC Margin	0-20
				Delay	Middle / High / Low	
				Extern	IR LED	On / Off
					Anti-Sat.	0-20
					LED Power	Dimming
Extern SW	High / Low					

					D > N Thres	0-20	
					N > D Thres	0-20	
					Delay	Middle / High / Low	
6	Color	AWB	Auto				
			Autoext				
			Preset				
			Manual	C-Temp	3000K / 5000K / 8000K		
				R-Gain	0-20		
B-Gain	0-20						
		Color Gain	0-20				
7	DNR	Middle / High / Off / Low					
8	Image	Sharpness	CVBS	0-10			
			CVI	0-10			
			TVI	0-10			
			AHD	0-10			
		Gamma	0.45 / 0.55 / 0.65 / 0.75				
		Mirror	On / Off				
		Flip	On / Off				
		ACE	Off / Low / Middle / High				
		Defog	Off				
			On	Mode	Manual / Auto		
				Level	Low / Middle / High		
		Privacy	Off				
			On	Zone Num	0-15		
				Zone DISP	On / Off		
				H-POS	0-60		
				V-POS	0-34		
				H-Size	0-60		
V-Size	0-34						
Y-Level	0-20						
CB Level	0-20						
CR Level	0-20						
Trans	0 / 1 / 2 / 3						
9	Motion	Off					
		On	Det Window	Window Zone	0 / 1 / 2 / 3		
				Window Use	On / Off		
				Det H-POS	0-60		
				Det V-POS	0-34		
				Det H-Size	0-60		
				Det V-Size	0-34		
		Det Tone	0 / 1 / 2 / 3 / 4				
		Mdirect Fill	On / Off				
		Sensitivity	0-10				
		Motion OSD	On / Off				
Text Alarm	On / Off						
Signal Out	On / Off						
10	System	Output	HD Output	Off / CVBS / CVI / TVI / AHD			

	Mode	Frame Rate	1080 25P(30P) / 720 25P(30P) / 720 50P(60P)		
		Freq.	50HZ / 60HZ		
		Confirm	YES		
	Image Range	Full			
		Comp			
		User	Offset	0-32	
	Color Space	HD-CbCr / YUV / SD-CbCr			
	Color Bar	On / Off			
	Language	ENG / CHN / CHN(S) / JPN / KOR / POR			
	Cam Title	Off			
		Right Up			
		Left Down			
	Reset				