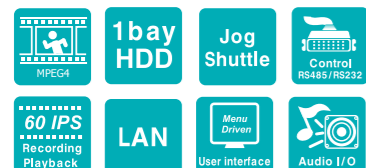


EDR410H/EDR810H

4 or 8 Channel Compact Size Network MPEG4 with Hot Swappable Drive



Features

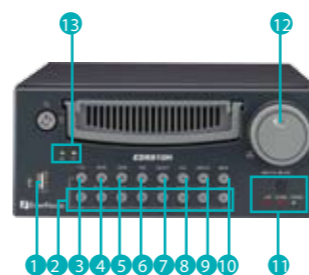
- Multiplex Operation (live, record, playback, archive & remote viewing)
- Up to 120 FPS of recording speed
- MPEG4 compression
- One 3.5" hot swap SATA hard disks with up to 1TB of storage
- One 2.0 USB port for quick and easy archive
- 10/100 Based-T network interface
- Real time live display for all cameras
- Compact size design
- Easy to use control panel with common VCR and multiplexer jog/shuttle feature
- On screen setup menu and system timer
- Event log for video loss, motion detection, alarm input/reset and power on/off
- Multi-level password protection (locally & remotely)
- User friendly on-screen menu with multi-language support
- Warning system alerts for fan fault, HDD temp. no HDD detected and HDD full
- Built-in watchdog timer
- IR remote controller included
- Free EverFocus DDNS service

Specifications

Video Format	NTSC or PAL
Operating System	Embedded Linux
Video Input	4 or 8 camera inputs (BNC, 1 Vp-p/75 ohm)
Video Output	1 BNC video out (1 Vp-p/75 ohm) for Main Monitor, 1 BNC video out (1 Vp-p/75 ohm) for Call Monitor. 4 video out (1Vp-p/75 ohm) for looping (EDR410H)
Video Compression	MPEG4
Recording Resolution	360x240 (NTSC: 120 FPS)/360x288 (PAL: 100 FPS) 720x240 (NTSC: 60 FPS)/ 20x288 (PAL: 50 FPS) 720x480 (NTSC: 30 FPS)/720x576 (PAL: 25 FPS)
Playback Resolution	360x240 (NTSC: 120 FPS)/360x288 (PAL: 100 FPS) 720x240 (NTSC: 60 FPS)/720x288 (PAL: 50 FPS) 720x480 (NTSC: 30 FPS)/720x576 (PAL: 25 FPS)
Video Display	Full, PIP, 4, 7, 8/9, 2x2 zoom for live viewing and playback
Video Pause	Yes
Alarm Input	4 or 8 alarm inputs
Alarm Output	1 alarm output
Hard Disk Storage	One hot swappable 3.5" SATA hard disk
Recording Mode	Continue, Time-Lapse, Schedule, Event Recording (Motion & Alarm)
Motion Detection	Yes, with multiple configurable detection area & sensitivity
Playback Search	By date/time or Event (Motion, Video Loss, Alarm)
Event Log	Yes
User Interface	User friendly menu driven
Setup	On screen display setup
User Input Device	Front panel keypad with shuttle/jog, mouse
Timer	Real time clock and auto time synchronization with global NTP server through Internet
Title	12 character title generator for each camera
Watchdog Function	Yes
Ethernet	RJ-45 connector for network communications (10/100 Mbps)
Archive	USB 2.0 port for quick archive
RS-232	9-pin female connector for local communications
RS-485	for EKB500 keyboard or PTZ connection (optional)
Audio	1 line level input, 1 out
Power Source	12~24VDC, ±10%, 110V
Power Consumption	60W, AC 5 amp. (tolerance AC90~246V)
Operating Temp.	0°C ~ 40°C / 32°F ~ 104°F
Dimensions (L x W x H)	297 x 211.5 x 89 mm / 11.7" x 8.3" x 3.5"
Weight	4.85 kg / 10.7 lbs

Major Operating Controls

Front Panel Design



- 1 USB Slot
- 2 Channel Key (1~8)
- 3 Full
- 4 Mode
- 5 Zoom
- 6 SEQ
- 7 Select
- 8 Call
- 9 Display
- 10 System LEDs
- 11 Hard Disk Tray
- 12 Shuttle and Jog Dial
- 13 HDD LEDs

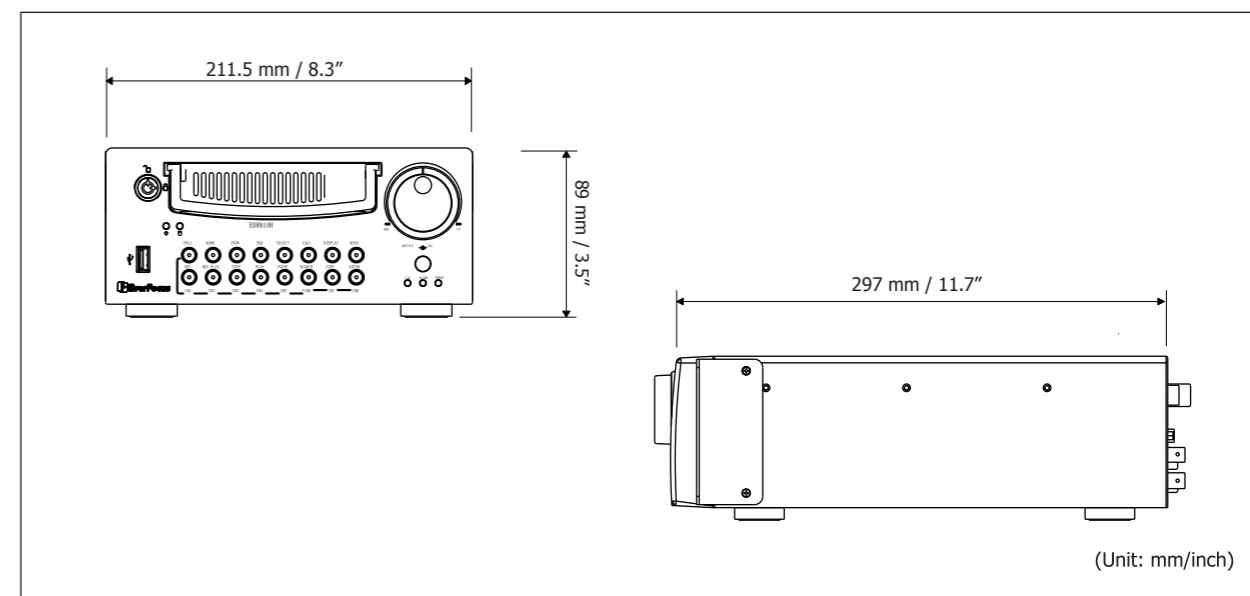
Back Panel Design



- 1 RS-232
- 2 Fan
- 3 Main Monitor
- 4 Remote
- 5 Power
- 6 Alarm Input/Output
- 7 RS-485
- 8 LAN
- 9 Call Monitor
- 10 Audio Input/Output
- 11 Video Input

*Front & back panel controls vary depending on models

Dimensions



Ordering Information

EDR410H

- EDR410H/250: 4 Ch, 120FPS, MPEG4, 250GB, USB
- EDR410H/500: 4 Ch, 120FPS, MPEG4, 500GB, USB
- EDR410H/1T: 4 Ch, 120FPS, MPEG4, 1TB, USB

EDR810H

- EDR810H/250: 8 Ch, 120FPS, MPEG4, 250GB, USB
- EDR810H/500: 8 Ch, 120FPS, MPEG4, 500GB, USB
- EDR810H/1T: 8 Ch, 120FPS, MPEG4, 1TB, USB

*Models vary in different countries. Please visit your EverFocus regional website for detailed ordering information.