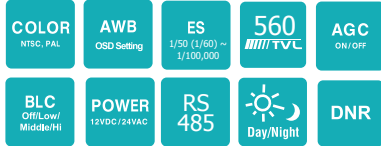


EQ550

560 TVL Box Type Color Camera with True Day/Night



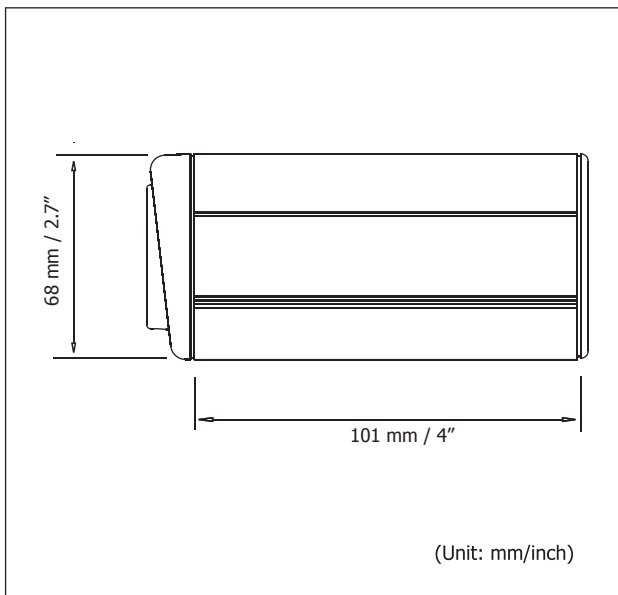
Features

- Advanced 16-bit Digital Signal Processor (DSP) delivers excellent picture quality and performance
- True Day/Night function with IR cut filter
- Built-in Dynamic Noise Reduction (DNR) for noise reduction and a 70% saving of disk storage
- Super low light with high sensitivity of 0.002 Lux/F=1.2 (SENS-UP shutter x128)
- OSD setting menu
- Support Motion Detection function and Privacy function
- Support either C-mount or CS-mount (optional), needs to have C/CS mount ring regardless
- RS-485 port for optional keyboard control

Specifications

Pickup Device	1/3" Sony Interline Transfer Super HAD CCD
Video Format	NTSC or PAL
Picture Format	768 x 494 NTSC / 752 x 582 PAL
Horizontal Resolution	560 TVL
Video Output	BNC 1.0 Vp-p, 75 ohm
Sensitivity	0.002 Lux (SENS-UP x128), 0.25 Lux/F=1.2
S/N Ratio	Over 50 dB (AGC off)
OSD	Yes
True Day/Night	Yes (Auto IR cut filter and B/W Sensitivity Enhanced, Off/High Lux/Low Lux Switchable)
Shutter Selection	ESC/Manual/FLK selectable
White Balance	ATW (2500~8300°K)/AWC/Manual
Backlight Comp.	Yes, Off/Low/Middle/High selectable
Sync. Mode	Line Lock/Internal Sync.
Auto Gain Control	Yes, Off/Low/Middle/High selectable
Lens	Sold separately
Dimension (L x W x H)	101 x 56 x 68 mm / 4" x 2.2" x 2.7"
Operating Temp.	-10°C ~ 50°C / 32°F ~ 122°F
Humidity	20% ~80% humidity
Power Source	12VDC / 24VAC
Power Consumption	24VAC: 6W max. / 12VDC: 4W max.
Weight	0.27 kg / 0.6 lbs

Dimensions



Ordering Information

- **EQ550:** 1/3" Polestar Box Housing, True Day/Night, 560 TVL, 0.002 lux, Dual Voltage