

EQ350

560 TVL Aluminum Box Type Housing Color Camera



COLOR NTSC, PAL	AWB Yes	ES 1/50 (1/60) ~ 1/100,000	560 TVL	BLC ON/OFF
AGC ON/OFF	POWER 12VDC/24VAC	AI	FL ON/OFF	



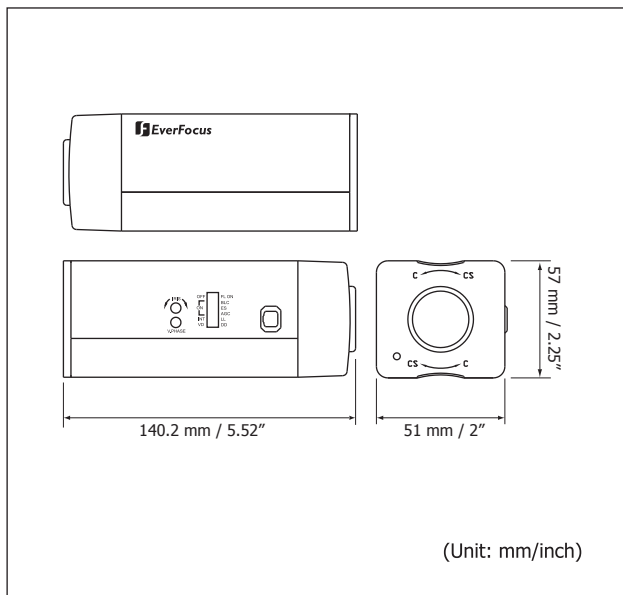
Features

- Industry leading super high resolution with 560 TVL
- Revolutionary integrated 10-bit Digital Signal Processor (DSP) delivers sharp color images and excellent picture quality
- Wide range automatic electronic shutter: 1/50 (1/60) ~ 1/100,000
- Auto line lock with external phase adjustment
- C/mount or CS-mount adjustable with easy back focus adjustment wheel on the camera
- Smart FL mode for fluorescent light
- Utilizing innovative Pure Vision Technology

Specifications

Pickup Device	1/3" Sony Interline Transfer Super HAD CCD
Video Format	NTSC or PAL
Picture Format	768 x 494 (NTSC) / 752 x 582 (PAL)
Horizontal Resolution	560 TVL
Video Output	BNC 1.0 Vp-p, 75ohm
Sensitivity	0.5 Lux/F=1.2
S/N Ratio	Over 48dB (AGC Off)
Electronic Shutter	1/50 (1/60) ~ 1/100,000
Gamma Correction	0.45
Sync. Mode	Line Lock/Internal Sync.
Flickerless	On/Off switch
Backlight Comp.	On/Off switch
Auto Gain Control	On/Off switch
Auto White Balance	Yes
Lens	Sold separately. Support C/CS mount
Power Source	12VDC/24VAC
Power Consumption	24VAC: 7W max. / 12VDC: 4.5W max.
Dimensions (L x W x H)	140.2 x 51 x 57 mm / 5.5" x 2" x 2.3"
Weight	500 g / 1.1 lbs
Operating Temp.	-10°C ~ 50°C / 14°F ~ 122°F
Humidity	20% ~ 80% humidity

Dimensions



Ordering Information

- **EQ350A/N:** 1/3" Color, 560 TVL Pure Vision Hi-Res DSP Camera, Dual Voltage