

## EHD650

Wide Dynamic Range, True Day/Night  
Vandal Color Dome Camera



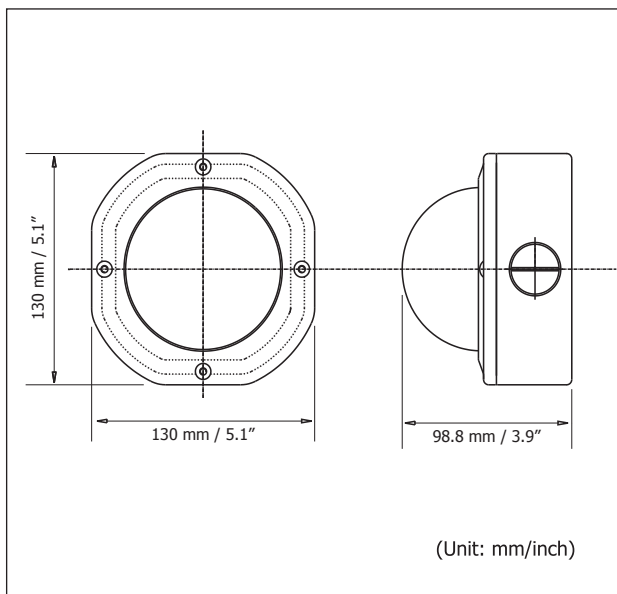
### Features

- 1/3" Pixim Digital Pixel System (DPS)
- 480 TVL of horizontal resolution
- Each pixel is processed independently, providing high quality images with enhanced dynamic range under extreme lighting conditions
- Superior Wide Dynamic image quality: Film-like colors are illustrated under various light conditions, even in high dynamic range scenes (>120dB max)
- True Day/Night with IR cut filter
- Vandal resistant: designed with polycarbonate shell to withstand the impact of a 10 lb sledgehammer
- Weatherproof IP66 rated to endure all weather conditions

### Specifications

Pickup Device	1/3" Pixim Digital Pixel System
Pixel Element	720 × 540 (Digital)
Horizontal Resolution	480 TVL (Analog)
Sensitivity	0.08 Lux / F=1.2 (DSS x 36)
Slow Shutter	Up to 32x (2, 4, 8, 16, 32)
S/N Ratio	Over 48dB
Auto Exposure	Yes
Auto White Balance	Yes, 2500K ~9500K (Adjustable)
Backlight Comp.	Yes
Auto Iris	Yes
Video Output	BNC, 1.0Vp-p / 75 ohm
Auto Gain Control	Yes (max. 38dB)
Wide Dynamic Range	95dB typical, 120dB max
Sync. Mode	Line Lock/Internal Sync.
Image Flip	Yes (Horizontal Reverse)
On Screen Display	Yes
Lens	f=2.9~10mm
Power Source	24VAC
Operating Temp.	-40°C ~ 50°C / -40°F ~ 122°F (20% ~ 80% Humidity)
Power Consumption	4.5W max. (w/out heater) 15W max. (w/heater)
Dimensions (W x H x D)	130 x 98.9 x 130 mm / 5.1" x 3.9" x 5.1"

### Dimensions



### Ordering Information

- **EHD650/H-3:** 1/3" Wide Dynamic, True Day/Night Rugged Vandal Dome Color Camera, 2.9~10mm Lens

\*Models vary in different countries. Please visit your EverFocus regional website for detailed ordering information.