

# EHD350

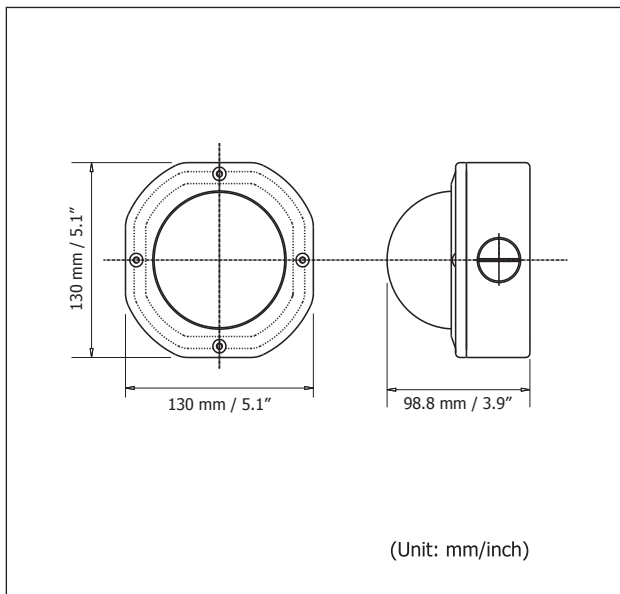
560 TVL High Resolution Color Vandal Dome Camera



### Features

- 1/3" Sony Super HAD CCD with light sensitivity of 0.5 Lux/F=1.2
- 560 TVL of horizontal resolution
- Revolutionary integrated 10-bit Digital Signal Processor (DSP) delivers excellent picture quality and sharp color images
- Vandal resistant with polycarbonate shell to withstand intentional destruction
- Designed with 3-axis for angle viewing flexibility
- Heater triggers when temperature falls below 10°C / 50°F
- Built-in micro switch for alarm trigger
- Weatherproof IP66 rated
- Aluminum base with smoke color shell
- Ideal for any outdoor surveillance

### Dimensions



### Specifications

Pickup Device	1/3" Sony Interline Transfer Super HAD CCD
Video Format	NTSC or PAL
Picture Format	768 x 494 (NTSC) / 752 x 582 (PAL)
Horizontal Resolution	560 TVL
Video Output	BNC 1.0 Vp-p, 75 ohm
Sensitivity	0.5 Lux/F=1.2
S/N Ratio	Over 48dB (AGC Off)
Electronic Shutter	1/50 (1/60) ~ 1/100,000 sec.
Sync. Mode	Line Lock/Internal Sync.
Flickerless	On/Off switch
Backlight Comp.	On/Off switch
Auto Gain Control	On/Off switch
Auto White Balance	Yes
Gamma Correction	0.45
Iris Level	Adjustable
Lens	Built-in vari-focal f=9~22mm / f=2.9~10mm
Dimensions (W x H x D)	130 x 98.8 x 130 mm / 5.1" x 3.9" x 5.1"
Operating Temp.	-40°C ~ 50°C / -40°F ~ 122°F
Humidity	20% ~ 80% humidity
Power Source	12VDC/24VAC
Power Consumption	With Heater: 24VAC: 20.5W max. / 12VDC: 11.5W max. Without Heater: 24VAC: 6W max. / 12VDC: 4W max.
Weight	1.7 kg / 3.7 lbs.
Weatherproof	IP66 rated
Vandal Resistant	Yes

### Ordering Information

- **EHD350/H2:** 1/3" 560 TVL, Vari-focal lens f=9~22mm/F=1.6, Smoke Shell w/Heater
- **EHD350/H3:** 1/3" 560 TVL, Vari-focal lens f=2.9~10m /F=1.6, Smoke Shell w/Heater