

EFD300A

520 TVL Indoor Recessed Color Dome



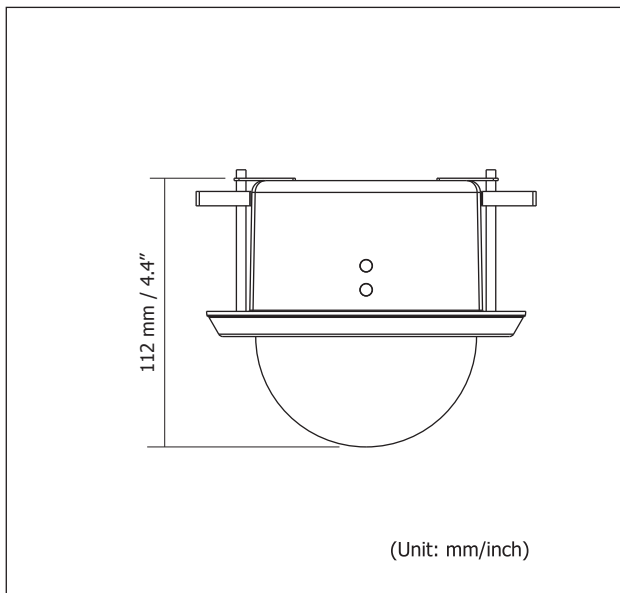
Features

- 520 TVL of horizontal resolution
- Tool-less feature enables easy, trouble-free camera adjustment
- Features a "twist to lock" trim ring to ensure a secure connection
- Designed with polycarbonate dome shell for vandal resistant
- Plenum-rated back box
- Manual Pan/Tilt mechanism
- Available with 4~9mm lens

Specifications

Pickup Device	1/3" Sony Interline Transfer Super HAD CCD
Video Format	NTSC or PAL
Picture Format	768 x 494 (NTSC) / 752 x 582 (PAL)
Horizontal Resolution	520 TVL
Video Output	BNC 1.0 Vp-p, 75 ohm
Sensitivity	0.4 Lux/F=1.2
S/N Ratio	Over 48dB (AGC Off)
Electronic Shutter	1/50 (1/60) ~ 1/100,000 sec.
Flickerless	On/Off switch
Backlight Comp.	On/Off switch
Auto Gain Control	On/Off switch
Auto White Balance	Yes
Gamma Correction	0.45
Sync. Mode	Internal
Iris Level	Adjustable
Lens	f=4~9mm/F=1.4
Power Source	12VDC / 24VAC
Power Consumption	24VAC: 4W max. / 12VDC: 2W max.
Dimensions (W x H)	135 x 112 mm / 5.3" x 4.4"
Weight	0.7 kg / 1.6 lbs
Operating Temp.	0°C ~ 50°C / 32°F ~ 122°F
Humidity	20% ~ 80% humidity

Dimensions



Ordering Information

- **EFD300A:** 1/3" Color Flush Dome, NTSC, 4-9mm A/I, Smoke Shell, No Audio