

## ECD230

380 TVL Micro Mini Indoor Color Dome



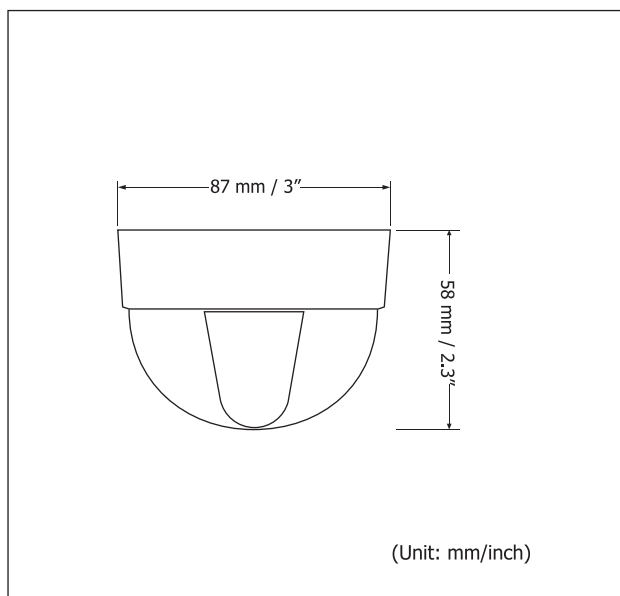
### Features

- 380 TVL with high sensitivity of 0.3 Lux/F=1.2
- Approximately 3" (87mm) in diameter
- 3.6 mm fixed lens
- Built-in anti-aliasing
- Dual voltage
- Ideal for discreet indoor surveillance
- Available in white base with smoke dome shell

### Specifications

Pickup Device	1/3" Sony Interline Transfer Super HAD CCD
Video Format	NTSC or PAL
Picture Format	510 x 492 (NTSC) / 500 x 582 (PAL)
Horizontal Resolution	380 TVL
Video Output	BNC 1.0 Vp-p, 75 ohm
Sensitivity	0.3 Lux/F=1.2
S/N Ratio	Over 48dB
Sync. Mode	Internal Sync.
Electronic Shutter	1/50 (1/60) ~ 1/100,000 sec.
Backlight Comp.	On/Off switch
Auto Gain Control	On/Off switch
Auto White Balance	Yes
Gamma Correction	0.45
Lens	f=3.6mm lens
Power Source	12VDC / 24VAC
Power Consumption	1.5W max.
Dimensions (W x H)	87 x 58 mm / 3" x 2.3"
Weight	45.4 g / 0.1 lbs
Operating Temp.	0°C ~ 50°C / 32°F ~ 122°F
Humidity	20% ~ 80% humidity

### Dimensions



### Ordering Information

- **ECD230/N3W:** 380 TVL, Micro-Mini Color Dome, 3.6mm Lens, Black Shell, White Base